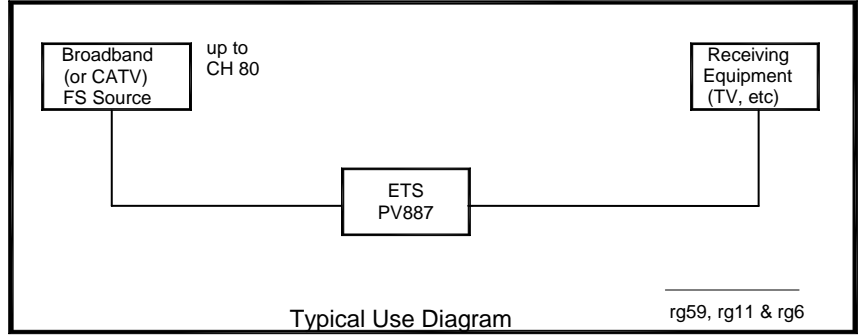


# PV887 CATV Isolator

# CATV Broadband Video Baluns



Features/Advantages	Description	Applications
<ul style="list-style-type: none"> <li>• Breaking the DC path eliminates most types of interference</li> <li>• Hum virtually eliminated</li> <li>• Rugged housing</li> <li>• Made in USA</li> <li>• 100% tested</li> </ul>	<p>Expanding the applications opened by Broadband Video Baluns, ETS adds the PV887 <b>CAT5 Isolator</b> to the ETS line of <b>Broadband Video Baluns</b>.</p> <p>The CATV Isolator breaks the connection between the input and the output, blocking DC voltages. The TV signals up to channel 82 (20 MHz to 550 MHz) are easily transmitted across the barrier.</p> <p>CATV Isolator can locate anywhere between the antenna and the TV set.</p> <p>The PV887 offers 'F'-type connectors for input and output.</p>	<ul style="list-style-type: none"> <li>• Cable TV Distribution</li> <li>• Media-Retrieval Systems</li> <li>• Schools</li> <li>• Churches</li> <li>• "Smart" Houses</li> </ul>

Specifications	Product Ordering Information														
<table> <tr> <td>Connectors</td> <td>F connectors for input and output</td> </tr> <tr> <td>Insertion Loss</td> <td>2dB</td> </tr> <tr> <td>Return Loss</td> <td>Better than 20 dB</td> </tr> <tr> <td>Media</td> <td>RG59, RG11, and RG6</td> </tr> <tr> <td>Dimensions</td> <td>20 x 39 x 30 mm,</td> </tr> <tr> <td>Net Weight</td> <td>0.02 kg</td> </tr> </table>	Connectors	F connectors for input and output	Insertion Loss	2dB	Return Loss	Better than 20 dB	Media	RG59, RG11, and RG6	Dimensions	20 x 39 x 30 mm,	Net Weight	0.02 kg	<table> <tr> <td>PV887</td> <td>CATV Isolator, F connector, input &amp; output</td> </tr> </table>	PV887	CATV Isolator, F connector, input & output
Connectors	F connectors for input and output														
Insertion Loss	2dB														
Return Loss	Better than 20 dB														
Media	RG59, RG11, and RG6														
Dimensions	20 x 39 x 30 mm,														
Net Weight	0.02 kg														
PV887	CATV Isolator, F connector, input & output														

© Copyright 2003-2011 Energy Transformation Systems, Inc.  
 FatCat5 System panels and information outlets protected under US Patent Number 6,123,577. FatCat5™, FatCat5 System™, Chameleon Color Coding System™, Balanced Star™, Balanced Line™, Monoline™ and Precision Wave™, InstaSnake™, CineSnake™ are trademarks of Energy Transformation Systems. All other brand or product names are or may be trademarks of, and are used to identify the products or services of their respective owners.  
 Revised 11/ 07/2011



**Energy Transformation Systems, Inc.**  
 43353 B Osgood Road, Fremont, CA 94539  
 www.etslan.com  
 800-752-8208 510-656-2012 Fax 510-656-2026

