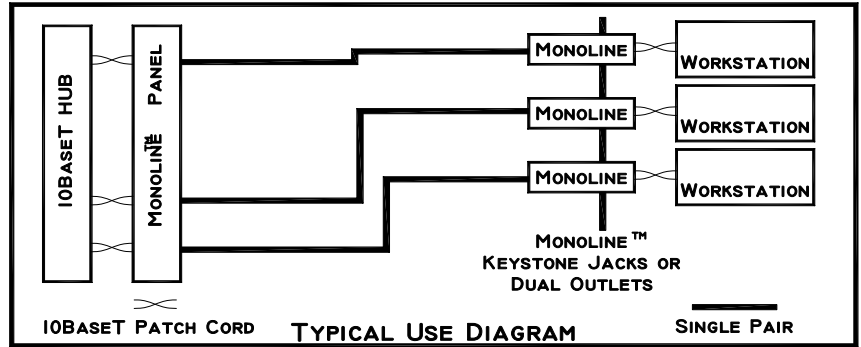
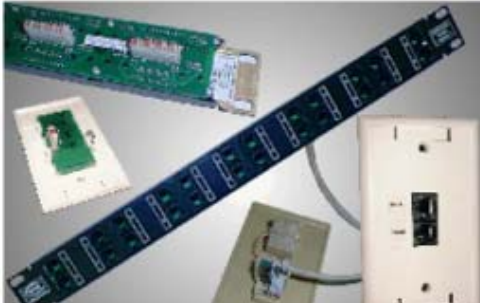


# Monoline Plus™ System

# Panels, Outlets and Wall Jacks



Features/Advantages	Description	Applications
<ul style="list-style-type: none"> <li>Utilize unused pairs of installed telecom wire to run Ethernet™ today</li> <li>Exceeds 802.3 10BaseT NEXT specification, isolating the receiver from the transmitted signal</li> <li>Rugged construction</li> <li>Made in USA</li> <li>100% tested</li> </ul>	<p>Using the <b>Monoline™</b> technology available <i>ONLY</i> from ETS, you can use pairs of pre-installed telephone wire already in place to set up a 10BaseT network – all without rewiring!</p> <p>At the wiring/distribution closet, place <b>Monoline™ Panels</b>, and your 10BaseT hub equipment. Terminate the unused telephone pairs onto standard punchdown blocks on the back of the <b>Monoline™ Panel</b>. Patch your hub into the <b>Monoline™ Panel</b> using standard data patch cables. <i>(Available with F-connector for use with pre-existing coax runs).</i></p> <p>At each endpoint (room or suite), replace the existing phone jack with either our <b>Monoline™ Dual Outlet</b>, or add a <b>Monoline™ Keystone Jack</b> to an existing installation with either a wallmount box or a new wall plate. Phone service continues, and on the single remaining pair of twisted pair wiring, you now have a complete 10BaseT connection.</p>	<ul style="list-style-type: none"> <li>Hotels</li> <li>Motels</li> <li>Corporate housing</li> <li>Apartment buildings</li> <li>Dormitories</li> <li>Barracks</li> <li>Hospitals</li> </ul>

Specifications		Product Ordering Information	
Insertion Loss	< 0.5 dB	BPS-10BaseT-Rx	Monoline Panel, Rack Mount, x Ports
Connectors	110 to RJ45 jack (RJ11 for phone output) EF has F conn, others are 110 punchdown.	EBSP-10BaseT-V-WPX	Monoline Plus, Wallplate w/Data and Voice
		EBSP-10BaseT-V-UDT	Monoline Plus, Universal Desktop w/Data and Voice
Impedance	100 Ω (single pair) to dual 100Ω (two pair)	EBS-10BaseT-K	Monoline Keystone Jack
Crosstalk	> 30 dB	EF-10BaseT-K	Monoline Keystone Jack, F-connector
Distance	250 ft Cat3 or better cable		
Dimensions	23mm x 23mm x 31mm (Keystone Jack)		
	125mm x 80mm x 36mm (Dual Outlet)		
	1 RU x 33mm deep (Panels)		
Net Weight	0.01 / 0.05 / 0.4 kg (Jack, Outlet, Panel, resp)	x = loaded ports / panel 8, 16 or 24	

© Copyright 2004-2011 Energy Transformation Systems, Inc.  
 FatCat5 System panels and information outlets protected under US Patent Number 6,123,577. FatCat5™, FatCat5 System™, Chameleon Color Coding System™, Balanced Star™, Balanced Line™, Monoline™ and Precision Wave™, InstaSnake™, CineSnake™ are trademarks of Energy Transformation Systems. All other brand or product names are or may be trademarks of, and are used to identify the products or services of their respective owners.

Revised 11/03/2011



**Energy Transformation Systems, Inc.**  
 43353 Osgood Rd. #B, Fremont, CA 94539  
 www.etslan.com  
 800-752-8208 510-656-2012 Fax 510-656-2026

