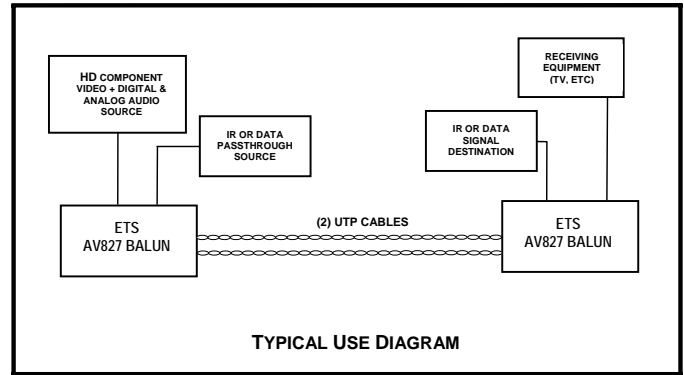


AV820 Series - AV827, AV828

HDTV Balun with Data and IR + Audio Baluns



Features/Advantages	Description	Applications
<ul style="list-style-type: none"> Send High Definition Component video and audio signals on UTP at distances of up to 500 ft Increased pixel resolution – up to 1080 pixels with a bandwidth of 270 MHz Passive unit – no power required IR Information pass-through Meets FCC Class A Superior signal balancing, lower crosstalk, less ingress and ghosting Wall or rack mount, up to 6 units, 2 racks high May utilize existing telecom wiring Sturdy compact metal case Made in USA 100% tested 	<p>The ETS AV827 is a High Definition Component Video + Digital Audio + Analog Stereo Audio + IR or Data Pass Through balun. This balun is designed for ease of use and consistent signal labeling in applications that utilize component video signals.</p> <p>Component video formats include RGB, YUV, YIQ and YPbPr. Custom labeling is available for use with your application as required (YPbPr shown above). Due to custom labeling requirements, additional lead times <i>may</i> apply for these baluns.</p> <p>YPbPr component video is a recent addition to consumer equipment found on some DVD players, high-end televisions and home theater equipment. Professional uses include cameras and VTRs based upon any of the above standards.</p> <p>The High Definition Component Video + Digital Audio + Analog Stereo Audio + IR or Data Pass Through balun series is for high-end home and professional theaters that transmit signals from 480 to 1080 resolution video.</p>	<ul style="list-style-type: none"> Broadcast Studios Digital Signage DVD / Home Theater Conference Rooms Production and Post-Production Facilities Schools Video Projection Systems

Specifications		Product Ordering Information	
Bandwidth	Flat to 270 MHz (Video, per channel) 10 Hz to 20 KHz (Analog Audio) 20 KHz to 60 MHz (Digital Audio)	AV827	HDCVB + Digital Audio + Stereo Audio + IR or Data Pass Through, (6) RCA jacks + screw terminals to (2) RJ45, jacks all pins
Common Mode Rejection	>50dB (Video)	AV828	HDCVB + Digital Audio + Stereo Audio + IR or Data Pass Through (3) FBNC for Video + (3) RCA jacks, + screw terminals to (2) RJ45 jacks, all pins
Impedance	600:600 (Analog Audio)		
Isolation	500 V (Analog Audio, per channel)		
Connectors	RCA jack or BNC + screw terminal to RJ45 jack		
Distance	500 ft		
Dimensions	71mm x 110mm x 52mm		
Media	Category 5 or better recommended		
Net Weight	0.34Kg		

© Copyright 2006-2009 Energy Transformation Systems, Inc.
 FatCat5 System panels and information outlets protected under US Patent Number 6,123,577. FatCat5, FatCat5 System, Chameleon Color Coding System, Balanced Star, Balanced Line, Monoline and Precision Wave are trademarks of Energy Transformation Systems. All other brand or product names are or may be trademarks of, and used to identify the products or services of their respective owners. Revised 07/07/09



<http://www.etslan.com>

Energy Transformation Systems, Inc.
 43353 B Osgood Road, Fremont, CA 94539
 Toll Free 800-752-8208 Fax 510-656-2026