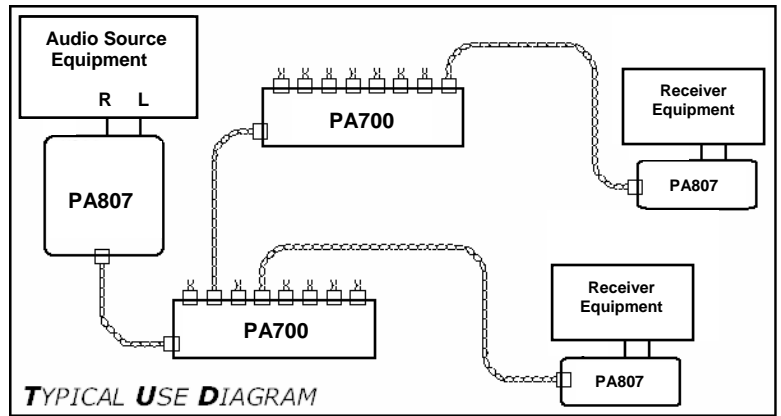


PA700 Series

Analog Audio Distribution Hub



Features/Advantages	Description	Applications
<ul style="list-style-type: none"> Run stereo audio signals over Cat5 wiring Up to 512 outputs possible from a single source For efficiency, the system balances the input signal, distributes on UTP, and converts back at each receiver Complete system design flexibility, with components that can be several hundred feet apart Low power requirements for the Hubs, display baluns need no external power Made in USA 100% tested 	<p>The CAT5 Audio Broadcast System is all-new from ETS. The PA700 UTP Analog Audio Distribution Hub (pictured above) has two channels of line-level audio transmitted through the distribution amplifier, creating 8 output sets (stereo audio) from a single source.</p> <p>The powered PA700 can be cascaded twice (three tiers) yielding a total distribution of 512 receivers from a just one input source.</p> <p>Audio signals are converted to and from UTP using the standard ETS PA807 Analog Audio Balun.</p> <p>The PA700 System supports stereo audio over a total run length in excess of 100 meters (inclusive of all cable segments) on Category 5 or better cable.</p>	<ul style="list-style-type: none"> Home Theater Systems Meeting Halls Churches Schools Classrooms Auditoriums

Specifications		Product Ordering Information	
Bandwidth	10Hz to 20kHz	PA700	UTP Audio Stereo Distribution Hub, 8 Channel
Connectors	(9) RJ45 jack s – (1) in (8) out		
Impedance	600:600		
Isolation	500 V (per channel)		
Power In	9-12 VAC, 800mA min. with Power Adapter supplied		
Distance	Up to 1000 ft.		
Dimensions	260 mm x 165 mm x 32 mm (10.3 x 6.5 x 1.3 in)		
Net Weight	1.5 kg (3.40 Lbs)		

© Copyright 1999-2009 Energy Transformation Systems
 FatCat5 System panels and information outlets protected under US Patent Number 6,123,577. FatCat5, FatCat5 System, Chameleon Color Coding System, Balanced Star, Balanced Line, Monoline and Precision Wave are trademarks of Energy Transformation Systems. All other brand or product names are or may be trademarks of, and are used to identify, products or services of their respective owners. Revised 07/06/09



Energy Transformation Systems, Inc.
 43353 B Osgood Road, Fremont, CA 94539
 www.etslan.com
 800-752-8208 510-656-2012 Fax 510-656-2026

