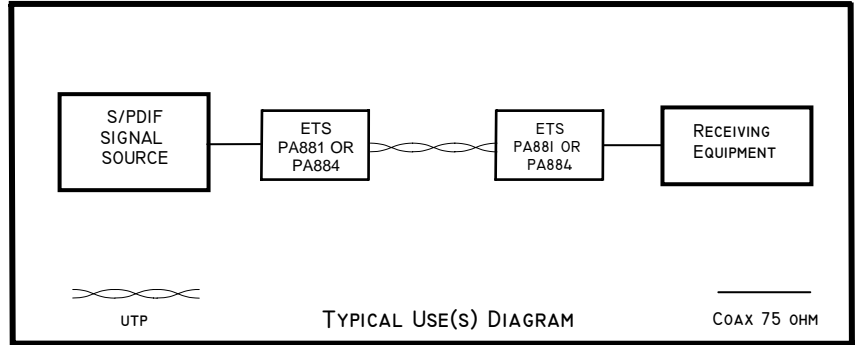


PA881 & PA884

S/PDIF Digital Audio Baluns



Features/Advantages	Description	Applications
<ul style="list-style-type: none"> Converts S/PDIP digital audio between balanced 100 ohm UTP and unbalanced 75 ohm BNC Isolated signals ease routing signals via video patch bays, eliminates ground loops Compact format Made in USA 100% tested 	<p>The ETS S/PDIF compliant products convert digital audio signals from Unshielded Twisted Pair (UTP) cable to coax. Used for temporary setups, as well as permanent in locations where coax is already present or cheaper than pulling fresh UTP- the PA881 and PA884 baluns provide solutions today!</p> <p>These baluns perform precise impedance matching and signal balancing, allowing S/PDIP signals to be transmitted with greater signal integrity and longer runs over coaxial cable than can be achieved with UTP wiring.</p> <p><u>Note:</u> The consumers with digital equipment in the home, such as CD players, DVD players, receivers etc. with digital inputs/outputs may use PA881. PA884 is for the professional version.</p>	<ul style="list-style-type: none"> Broadcast Control Rooms Recording Studios Post Production Facilities

Specifications		Product Ordering Information	
Bandwidth	20 kHz to 60 MHz (1dB)	PA881	SPDIF Balun, RCA jack to RJ45 jack, pins 5, 4
Connectors	FBNC or RCA jack to RJ45 jack	PA884	SPDIF Balun, FBNC to RJ45 jack, pins 5,4
Insertion Loss	< 0.15 dB		
Minimum Signal	0.50 V		
Impedance Match	75 ohm to 100 ohm		
Comm Mode Reject.	> 40 dB up to 40 MHz		
Distance	330 ft – UTP; Up to 2500ft 75 ohm coax		
Dimensions	46mm x 25 mm x 19mm		
Net Weight	0.03 kg		

© Copyright 1999-2009 Energy Transformation Systems, Inc.

FatCat5 System panels and information outlets protected under US Patent Number 6,123,577. FatCat5, FatCat5 System, Chameleon Color Coding System, Balanced Star, Balanced Line, Monoline and Precision Wave are trademarks of Energy Transformation Systems. All other brand or product names are or may be trademarks of, and are used to identify, products or services of their respective owners. Revised 07/6/2009



Energy Transformation Systems, Inc.
 43353B Osgood Road, Fremont, CA 94539
 www.etslan.com
 800-752-8208 510-656-2012 Fax 510-656-2026

