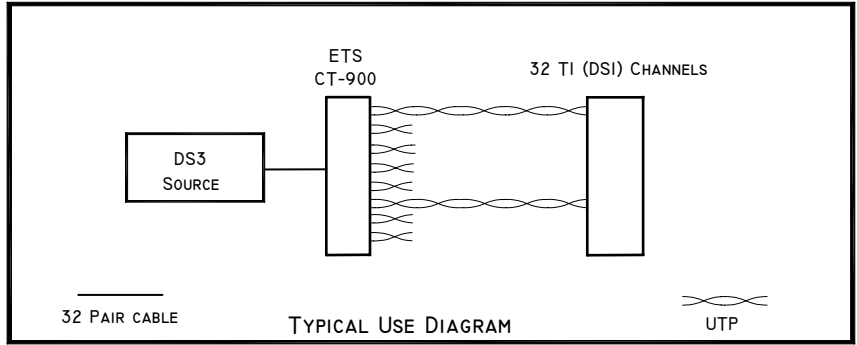


# CT900

# DS3 Breakout Panel



Features/Advantages	Description	Applications
<ul style="list-style-type: none"> <li>Decreases costs associated with moves, adds and changes</li> <li>Rugged, robust construction</li> <li>Requires no power source</li> <li>Made in USA</li> <li>100% tested</li> </ul>	<p>The <b>ETS DS3 Breakout Panel (CT900)</b> allows the distribution of DS3 signals in the form of T1 (DS1) channels over category 5 (or better) cabling. Achieve the same results and save money by using less costly Category 5 UTP rather than the more expensive coax cable.</p>	<ul style="list-style-type: none"> <li>ISP and ASP Sites</li> <li>Backbone Distribution</li> </ul>

Specifications		Product Ordering Information	
Connectors	32 - RJ45 jacks to 64 pin Telco	CT900	DS3 Breakout Panel, 32 port RJ45 jack to 64 pin Telco
Distance	330 ft		
Dimensions	44mm x 483mm x 43mm Deep (1 RU)		
Net Weight	0.51 Kg		

© Copyright 2005 - 2009 Energy Transformation Systems, Inc. FatCat5 System is patent pending by Energy Transformation Sysytems. FatCat5, FatCat5 System, Chameleon Color Coding System, Balanced Star, Balanced Line, Monoline and Precision Wave are trademarks of Energy Transformation Systems. All other brand or product names are or may be trademarks of, and are used to identify, products or services of their respective owners. Revised 07/08/09



**Energy Transformation Systems, Inc.**  
 43353 B Osgood Rd., Fremont, CA 94539  
 www.etslan.com  
 800-752-8208 510-656-2012 Fax 510-656-2026

