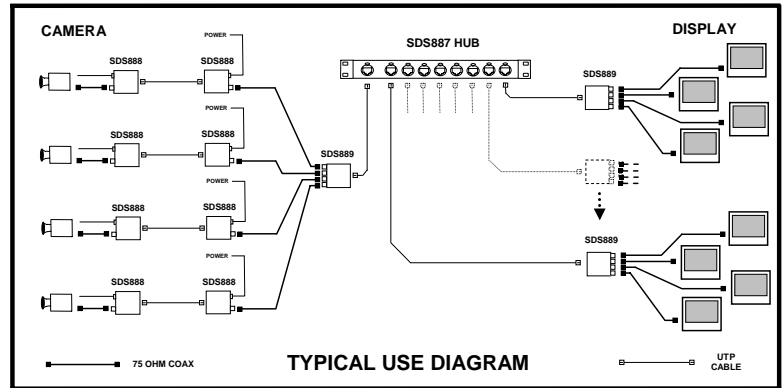


SDS Video System

Video Distribution Hub and Balun



Features/Advantages	Description	Applications
<ul style="list-style-type: none"> Send 4 video camera signals to 32 monitors Active hub; passive baluns giving 90% passive system for superior reliability All connectors - high quality Neutrik connectors including new power connector Rack mountable Expandable for size of production Easy portability Major cable runs use Cat5 cable – reduces weight and costs Metal enclosure – rugged for road travel Made in USA 100% tested 	<p>The ETS SDS887 is a UTP* Video Distribution Hub designed for Broadway theaters has four baseband video signals transmitting through the distribution amplifier creating 32 outputs. This hub can be used for monitoring in a variety of installations. *(Unshielded Twisted Pair, Category5 or better cable)</p> <p>The Distribution Hub balances the input signal, distributes on UTP and converts back at each display. NTSC, PAL, SECAM or CCTV signals are converted to and from UTP using the ETS SDS888 Video + Power and SDS889 Quad Video Balun.</p> <p>Designed for theatrical applications where people backstage can monitor what was happening on stage, the SDS887 Video Distribution Hub supports color video over a total run length in excess of 330 meters (inclusive of all cable segments) on Category 5 or better cable. Black and white signals will typically be supported up to 750 meters.</p>	<ul style="list-style-type: none"> Theaters – Multi-camera to Multi-monitor Configurations Point of Sale and In-store Advertising Production Monitoring Security and Surveillance Displays Live Action Monitoring

*NOTE: Category 5e or better cable recommended. Other wiring may result in non-compliance with FCC rules and regulations.

Specifications		Product Ordering Information	
Support	Composite baseband (NTSC, PAL, SECAM or CCTV)	SDS887	UTP Video Distribution Hub, 8 channel
Bandwidth	Flat to 60 MHz (SDS888 & 889)	SDS887E	Same as SDS887 – for 230V applications
Connectors	(9) RJ45 Jack – (4) IN and (32) distribution outputs	SDS888	Video + Power, FBNC + Screw terminal to RJ45
	(4) FBNC to RJ45 jack (SDS889)	SDS889	Quad Video/EBVB (4) FBNC to Ethercon RJ45 jack, all pairs
Crosstalk	>50dB (SDS888 & 889)		
Pinouts	Video 1: Pin 4&5; Video 2: Pin 1&2		
Compatibility	Video 3: Pin 3&6; Video 4: Pin 7&8		
Power Input	120 VAC, 60Hz or 230 V 50 Hz		
Media	Category 5e or better UTP		
Distance	Up to 1000 ft, Exclude SDS888		
Dimensions	SDS887: 44 x 483 x 121mm		
	SDS888: 67 x 77 x 28mm; SDS889: 85 x 128 x 44mm		
	(metal case)		
Net Weight	SDS887: 1.35 kg; SDS888: 0.10 kg; SDS889: 0.47 kg		

© Copyright 2009 Energy Transformation Systems, Inc.

FatCat5 System panels and information outlets protected under US Patent Number 6,123,577. FatCat5, FatCat5 System, Chameleon Color Coding System, Balanced Star, Balanced Line, Monoline and Precision Wave are trademarks of Energy Transformation Systems. All other brand or product names are or may be trademarks of, and are used to identify the products or services of their respective owners.

02/01/2010



<http://www.etslan.com>

Energy Transformation Systems, Inc.
 43353B Osgood Road, Fremont, CA 94539
 Toll Free 800-752-8208 Fax 510-656-2026