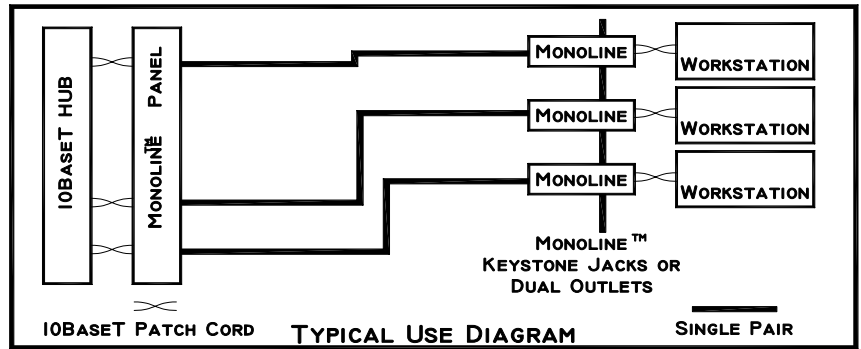
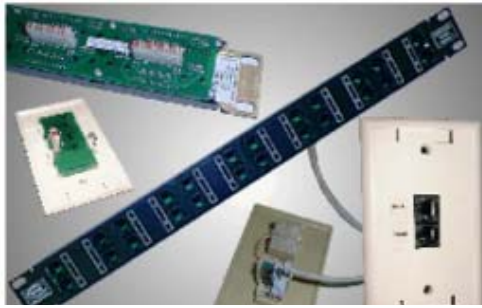


Monoline Plus™ System

Panels, Outlets and Wall Jacks



Features/Advantages	Description	Applications
<ul style="list-style-type: none"> Utilize unused pairs of installed telecom wire to run Ethernet today Exceeds 802.3 10BaseT NEXT specification, isolating the receiver from the transmitted signal Rugged construction Made in USA 100% tested 	<p>Using the Monoline™ technology available <i>ONLY</i> from ETS, you can use pairs of pre-installed telephone wire already in place to setup a 10BaseT network - without rewiring!</p> <p>At the wiring/distribution closet, place Monoline™ Panels, and your 10BaseT hub equipment. Terminate the unused telephone pairs onto standard punchdown blocks on the back of the Monoline™ Panel. Patch your hub into the Monoline™ Panel using standard data patch cables. Now available with F-connector for use with pre-existing coax runs.</p> <p>At each endpoint (room or suite), replace the existing phone jack with either our Monoline™ Dual Outlet, or add a Monoline™ Keystone Jack to an existing installation with either a wallmount box, or a new wall plate. Your phone service continues, and on the single remaining pair of twisted pair wiring, you have a complete 10BaseT connection.</p>	<ul style="list-style-type: none"> Hotels Motels Corporate Housing Apartment Buildings

Specifications	Product Ordering Information
<p>Insertion Loss < 0.5 dB</p> <p>Connectors 110 to RJ45 jack (RJ11 for phone output) EF has F conn, others are 110 punchdown.</p> <p>Impedance 100 Ω (single pair) to dual 100Ω (two pair)</p> <p>Crosstalk > 30 dB</p> <p>Distance 250 ft Cat3 or better cable</p> <p>Dimensions 23mm x 23mm x 31mm (Keystone Jack) 125mm x 80mm x 36mm (Dual Outlet) 1 RU x 33mm deep (Panels)</p> <p>Net Weight 0.01 / 0.05 / 0.4 kg (Jack, Outlet, Panel, resp)</p>	<p>BPS-10BaseT-Rx Monoline™ Panel, Rack Mount, x Ports</p> <p>EBSP-10BaseT-V-WPX Monoline™ Plus, Wallplate w/Data and Voice</p> <p>EBSP-10BaseT-V-UDT Monoline™ Plus, Universal Desktop w/Data and Voice</p> <p>EBS-10BaseT-K Monoline™ Keystone Jack</p> <p>EF-10BaseT-K Monoline™ Keystone Jack, F-connector</p> <p>x = loaded ports / panel 8, 16 or 24</p>

© Copyright 2004-2009 Energy Transformation Systems, Inc.
 FatCat5 System panels and information outlets protected under US Patent Number 6,123,577. FatCat5, FatCat5 System, Chameleon Color Coding System, Balanced Star, Balanced Line, Monoline and Precision Wave are trademarks of Energy Transformation Systems. All other brand or product names are or may be trademarks of, and are used to identify, products or services of their respective owners.
 Revised 07/08/2009



Energy Transformation Systems, Inc.
 43353 Osgood Rd. #B, Fremont, CA 94539
 www.etslan.com
 800-752-8208 510-656-2012 Fax 510-656-2026