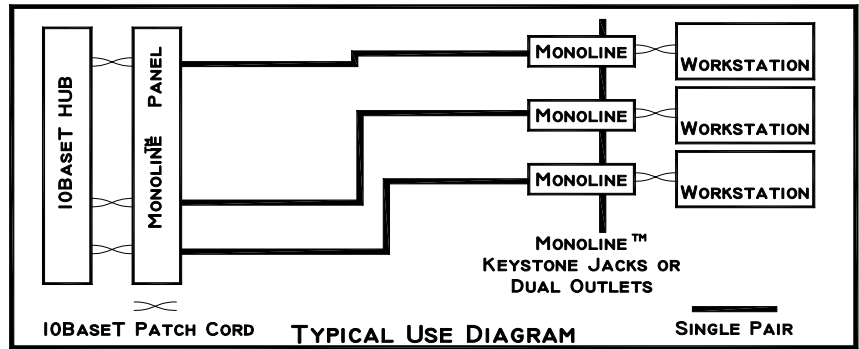
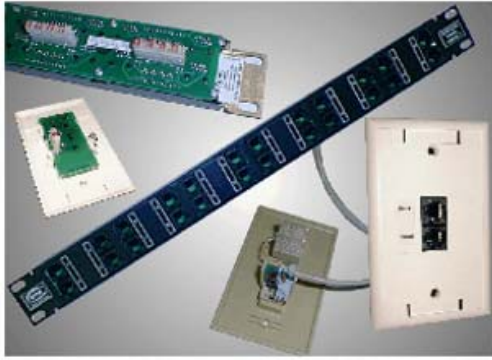


# Monoline™ System

# Panels, Outlets and Wall Jacks



Features/Advantages	Description	Applications
<ul style="list-style-type: none"> <li>Utilize unused pairs of installed telecom wire to run Ethernet today</li> <li>Exceeds 802.3 10BaseT NEXT specification, isolating the receiver from the transmitted signal</li> <li>Rugged construction</li> <li>Made in USA. 100% QA</li> </ul>	<p>Introducing <b>Monoline™ Panels, Jacks &amp; Dual Outlets</b> from ETS. Using the Monoline™ technology available <i>ONLY</i> from ETS, you can use pairs of pre-installed telephone wire already in place to setup a 10BaseT network - without rewiring!</p> <p>At the wiring/distribution closet, place <b>Monoline™ Panels</b>, and your 10BaseT hub equipment. Terminate the unused telephone pairs onto standard punchdown blocks on the back of the <b>Monoline™ Panel</b>. Patch your hub into the Monoline™ Panel using standard data patch cables. <b>Now available with F-connector for use with pre-existing coax runs.</b></p> <p>At each endpoint (room or suite), replace the existing phone jack with either our <b>Monoline™ Dual Outlet</b>, or add a <b>Monoline™ Keystone Jack</b> to an existing installation with either a wallmount box, or a new wall plate. Your phone service continues, and on the single remaining pair of twisted pair wiring, you have a complete 10BaseT connection.</p>	<ul style="list-style-type: none"> <li>Hotels</li> <li>Motels</li> <li>Corporate Housing</li> <li>Apartment Buildings</li> </ul>

Specifications		Product Ordering Information	
Insertion Loss	< 0.5 dB	BPS-10BaseT-Rx	Monoline™ Panel, Rack Mount, x Ports
Connectors	110 to RJ45 jack (RJ11 for phone output)	EBSP-10BaseT-V-WPX	Monoline™ Plus, Wallplate w/Data and Voice
	EF has F conn, others are 110 punchdown.	EBSP-10BaseT-V-UDT	Monoline™ Plus, Universal Desktop w/Data and Voice
Impedance	100 Ω (single pair) to dual 100Ω (two pair)	EBS-10BaseT-K	Monoline™ Keystone Jack
Crosstalk	> 30 dB	EF-10BaseT-K	Monoline™ Keystone Jack, F-connector
Dimensions	23mm x 23mm x 31mm (Keystone Jack)		
	125mm x 80mm x 36mm (Dual Outlet)		
	1 RU x 33mm deep (Panels)		
Net Weight	0.01 / 0.05 / 0.4 kg (Jack, Outlet, Panel, resp)	x = loaded ports / panel	8, 16 or 24

FatCat5 System panels and information outlets protected under US Patent Number 6,123,577. FatCat5, FatCat5 System, Chameleon Color Coding System, Balanced Star, Balanced Line, Monoline and Precision Wave are trademarks of Energy Transformation Systems. All other brand or product names are or may be trademarks of, and are used to identify the products or services of their respective owners. Revised 06/05/2001



<http://www.etslan.com>

**Energy Transformation Systems, Inc.**  
 43353 Osgood Rd. #B, Fremont, CA 94539  
 Tel 510-656-2012 Fax 510-656-2026  
 Toll Free 800-752-8208 (US only)