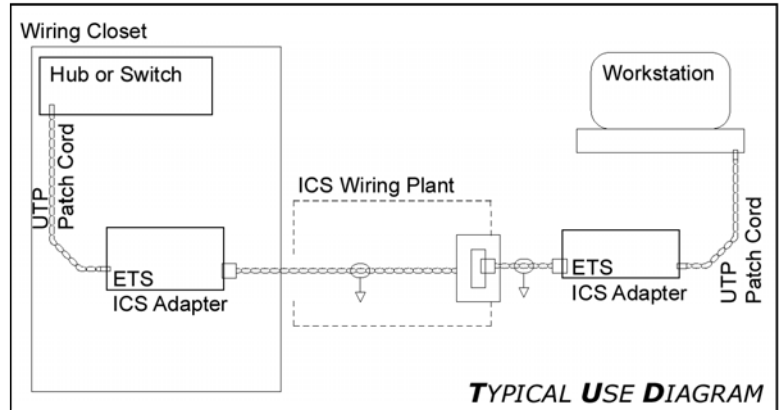


ICS Wiring Ethernet Adapters

Ethernet



Features/Advantages	Description	Applications
<ul style="list-style-type: none"> Available in impedance matched and low NEXT versions ETS is the ONLY source for Low NEXT adapters 100 meters for all models; Low NEXT supports 170 meter operations Certified by Cisco and IBM Global Services Economical and saves the cost of rewiring Meets IEEE 802.3 specifications 	<p>The ETS ICS Cable Adapters for 10/100BaseTX, and 10/100BaseTX with Ultra Low NEXT (with or without impedance matching [IM]) feature a RJ45 jack (pins 1, 2, 3, and 6) at one end and a 4 position Universal Data Connector (UDC) at the other end. Mate 150Ω IBM Type 1 (STP) to 100Ω UTP for running 10BaseT 100BaseTX. You can now install an 802.3 Ethernet network without the expense of rewiring to UTP.</p> <p>The Low NEXT 10/100BaseTX Adapter is applicable in situations where the user wants to minimize data error rates at the maximum rated distances, offsetting the possibility of marginal cable or installation quality.</p> <p>EA-DATA-U products are cost-effective, non-impedance matching adapters that function well in many installations. Longer distances and the lowest data error rates require Low NEXT adapters.</p>	<ul style="list-style-type: none"> For use in facilities wired with IBM Cabling System (150Ω STP), also known as Type 1 Cabling.

Specifications		Product Ordering Information	
Connectors	RJ45 (pins 1, 2 & 3, 6) to UDC	EB-10/100BaseTX-U-45	RJ45 to UDC 100BaseTX IM Adapter
Impedance	150Ω to 100Ω	EB-10/100BaseTX-U-45-L	RJ45 to UDC 100BaseTX IM Adapter
Return Loss	> 18dB		Low NEXT
NEXT			
10/100BaseTX	> 38dB		
10/100BaseTX, Low Next	> 44dB		
Dimensions	25mm x 30mm x 70mm	EA-DATA-U-45	RJ45 to UDC 100BaseTX Adapter
Net Weight	0.04 kg	EA-DATA-U-45-L	RJ45 to UDC 100BaseTX Adapter, Low NEXT

© Copyright 2000 Energy Transformation Systems
 FatCat5 System panels and information outlets protected under US Patent Number 6,123,577. FatCat5, FatCat5 System, Chameleon Color Coding System, Balanced Star, Balanced Line, Monoline and Procision Wave are trademarks of Energy Transformation Systems. All other brand or product names are or may be trademarks of, and are used to identify, products or services of their respective owners.



Energy Transformation Systems, Inc.
 http://www.etslan.com 43353B Osgood Road. #B, Fremont, CA 94539
 Tel 510-656-2012 Fax 510-656-2026
 Toll Free 800-752-8208