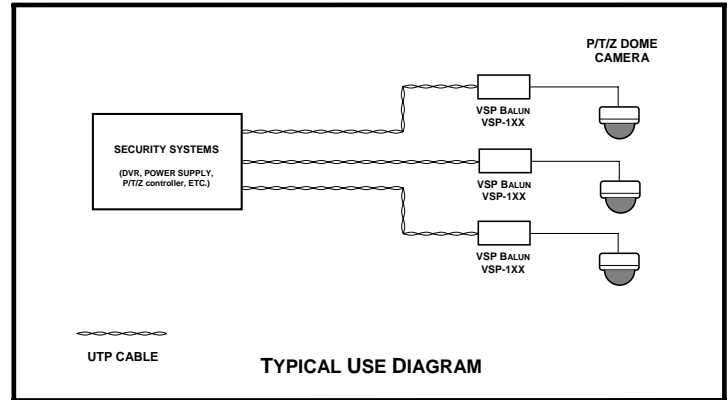


# Video Surveillance Plus Series



# Video + Control + Power Balun



Features/Advantages	Description	Applications
<ul style="list-style-type: none"> <li>Passive transmission device with video, control and power over single UTP cable</li> <li>Greater stability with wider bandwidth</li> <li>Save time and money for CCTV camera installations when using UTP cable</li> <li>Aluminum cases</li> <li>Made in USA - 100% tested</li> </ul>	<p>The <b>ETS VSP-1XX Series</b> combines video, control and power into a single UTP cable where the video signals are transported up to 3000 feet (900 meters) when connected with the <b>ETS Video Surveillance Plus</b> systems.</p> <p>For special installations, Low Smoke Zero Halogen (LSZH) cable with connectors is also offered.</p> <p>The <b>ETS VSP Balun</b> supports RS170, NTSC, PAL, SECAM, and CCIR video format.</p>	<ul style="list-style-type: none"> <li>Video Surveillance Systems</li> <li>P/T/Z Control Signals</li> <li>All Baseband Video Applications</li> </ul>

Specifications		Product Ordering Information	
Bandwidth	Flat to 60 MHz	VSP-107	Video+Control+Power, 7 in. P/T/Z cable with MBNC to 6.00 in. UTP
Impedance	75 ohm Unbalanced – BNC connector	VSP-107Z*	RJ45 plug, pins 1,2 (video), pins 3,6 (control), pins 4,5 & 7,8 (power)
	100 ohm Balanced – RJ45 connector side	VSP-112	Video+Control+Power, 12 in. P/T/Z cable with MBNC to 6.00 in.
Crosstalk	>50dB	VSP-112Z*	UTP RJ45 plug, pins 1,2 (video), pins 3,6 (control), pins 4,5 & 7,8 (power)
		VSP-118	Video+Control+Power, 18 in. P/T/Z cable with MBNC to 6.00 in.
Connectors	MBNC with 'x' inches P/T/Z cable to 6.00 inch RJ45 plug	VSP-118Z*	UTP RJ45 plug, pins 1,2 (video), pins 3,6 (control), pins 4,5 & 7,8 (power)
		VSP-124	Same as above with 24" cord
		VSP-136	Video+Control+Power, 36 in. P/T/Z cable with MBNC to 6.00 in.
Media	Category 5 or better	VSP-136Z*	UTP RJ45 plug, pins 1,2 (video), pins 3,6 (control), pins 4,5 & 7,8 (power)
Dimensions	26mm x 26mm + cable lengths	* Low Smoke Zero Halogen (LSZH) cable with connectors	
Net Weight	0.1 Kg		

© Copyright 2007-2010 Energy Transformation Systems, Inc.  
 FatCat5 System panels and information outlets protected under US Patent Number 6,123,577. FatCat5, FatCat5 System, Chameleon Color Coding System, Balanced Star, Balanced Line, Monoline and Precision Wave are trademarks of Energy Transformation Systems. All other brand or product names are or may be trademarks of, and are used to identify, products or services of their respective owners. Revised 02/05/10



**Energy Transformation Systems, Inc.**  
 43353 Osgood Rd, Unit B, Fremont, CA 94539  
 www.etslan.com  
 800-752-8208 510-656-2012 Fax 510-656-2026

