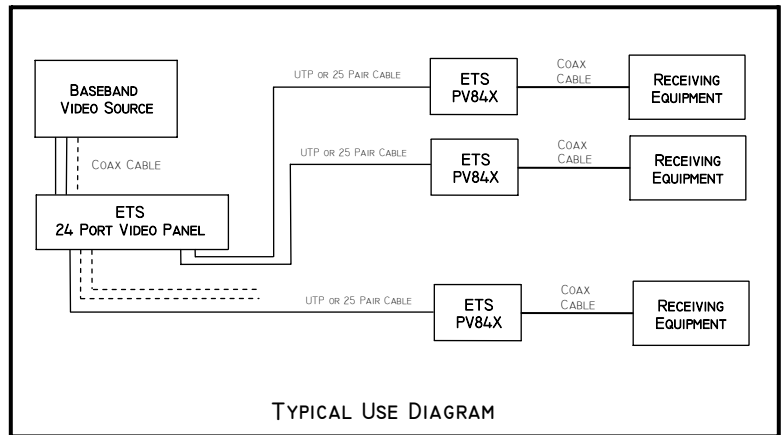


PV620 Series



Baseband Video Panels



Features/Advantages	Description	Applications
<ul style="list-style-type: none"> • Use UTP for long distance signal transmission with superior performance and easy, low cost installation • Greater stability with wider bandwidth (0 to 60 MHz) • Made in USA • 100% tested 	<p>The ETS Baseband Video Baluns have now been expanded to a panel version, the 24 port Baseband Video Panel. As with the PV840 Extended Baseband Video Baluns, the panel version also allows you the freedom to use UTP or 25 pair cable instead of costly coax to transmit baseband video signals throughout your facility, with better signal characteristics, at a lower cost. Depending on your application, you may be able to utilize previously installed wiring, with a corresponding dramatic improvement in installation costs.</p> <p>24 port video panels are available with FBNC connectors to RJ45 jacks or to a 50 pin Telco. You can transmit baseband signals on a Cat5 or better UTP or 25 pair cable.</p> <p>As with the ETS Extended Baseband baluns, color at distances in excess of 330 meters is supported, depending on the cable type. Black and white signals will typically be supported up to 750 meters.</p>	<ul style="list-style-type: none"> • ALL Baseband Video Applications • Security and Surveillance • Video Terminals

Specifications		Product Ordering Information	
Bandwidth	Flat to 60 MHz	PV620	24 port baseband video panel, FBNC to 50 pin telco (1 to 24)
Connectors	FBNC to RJ45 jack or to 50 pin Telco	PV621	24 port baseband video panel, FBNC to 50 pin telco (25 to 48)
Crosstalk	> 50dB	PV622	24 port baseband video panel, FBNC to 50 pin telco (49 to 72)
Media	Category 5 UTP or 25 pair cable	PV623	24 port baseband video panel, FBNC to 50 pin telco (73 to 96)
Dimensions (HLW)	1 RU x 115 mm DEEP	PV624	24 port baseband video panel, FBNC to RJ45 Pins 5&4
Distance	1200 ft – Color; 2500 ft – B/W		
Net Weight	1.05 Kg		

© Copyright 2005-2009 Energy Transformation Systems, Inc.
 FatCat5 System is patent pending by Energy Transformation Sysytems. FatCat5, FatCat5 System, Chameleon Color Coding System, Balanced Star, Balanced Line, Monoline and Precision Wave are trademarks of Energy Transformation Systems. All other brand or product names are or may be trademarks of, and are used to identify, products or services of their respective owners. Revised 07/07/2009



Energy Transformation Systems, Inc.
 43353 B Osgood Rd., Fremont, CA 94539
 www.etslan.com
 800-752-8208 510-656-2012 Fax 510-656-2026

