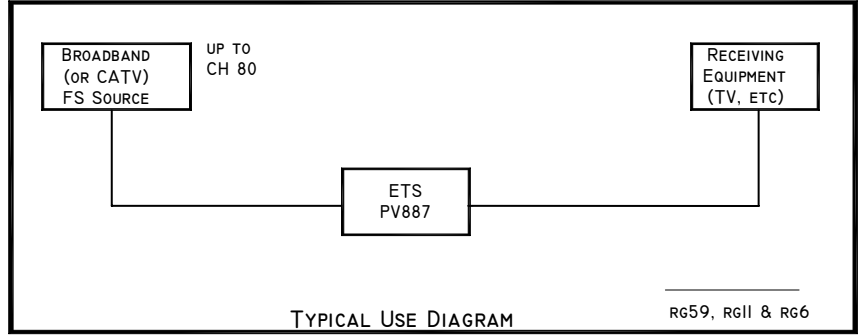


# PV887 CATV Isolator

# CATV Broadband Video Baluns



Features/Advantages	Description	Applications
<ul style="list-style-type: none"> <li>• Breaking the DC path eliminates most kinds of interference</li> <li>• Hum is eliminated</li> <li>• Rugged housing</li> <li>• Made in USA</li> <li>• 100% tested</li> </ul>	<p>Expanding the territories opened by the Broadband Video Baluns, ETS adds the PV887 <b>CAT5 Isolator</b> to the ETS line of <b>Broadband Video Baluns</b>.</p> <p>The CATV Isolator breaks the connection between the input and the output, blocking DC voltages. The TV signals up to channel 82 (20 MHz to 550 MHz) are easily transmitted across the barrier.</p> <p>Place the CATV Isolator anywhere between the antenna and the TV set.</p> <p>The PV887 offers 'F' connectors for input and output.</p>	<ul style="list-style-type: none"> <li>• Cable TV Distribution</li> <li>• Media Retrieval Systems</li> <li>• Schools</li> <li>• Churches</li> <li>• "Smart" Houses</li> </ul>

**\*NOTE:** Category 5e or better cable recommended. Other wiring may result in non-compliance with FCC rules and regulations.

Specifications	Product Ordering Information
<p>Connectors      F connectors for input and output</p> <p>Insertion Loss    2dB</p> <p>Return Loss      Better than 20 dB</p> <p>Media             RG59, RG11, and RG6</p> <p>Dimensions      20 x 39 x 30 mm,</p> <p>Net Weight        0.02 kg</p>	<p>PV887      CATV Isolator, F connector, input &amp; output</p>

© Copyright 2003-2009 Energy Transformation Systems, Inc.  
 FatCat5 System panels and information outlets protected under US Patent Number 6,123,577. FatCat5, FatCat5 System, Chameleon Color Coding System, Balanced Star, Balanced Line, Monoline and Precision Wave are trademarks of Energy Transformation Systems. All other brand or product names are or may be trademarks of, and are used to identify the products or services of their respective owners.  
 Revised 05/13/2003



**Energy Transformation Systems, Inc.**  
 43353B Osgood Road, Fremont, CA 94539  
 www.etslan.com  
 800-752-8208 510-656-2012 Fax 510-656-2026

