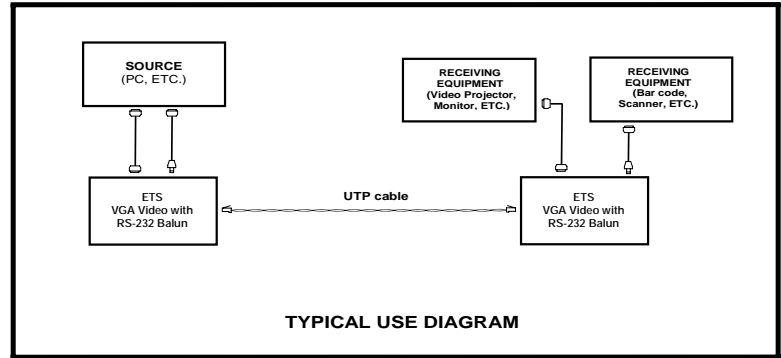


PV973G Series



VGA with RS-232



Features/Advantages	Description	Applications
<ul style="list-style-type: none"> Designed for video projectors where RS-232 video signal is important Extend VGA signal using one UTP cable for both VGA and RS-232 control High resolution up to 1600x 1200 at 60Hz Distance up to 500 ft or 1000 ft using Belden Wire skew-free cable Works with monitors, projectors, HDTV and flat panels RS-232 works with scanners and touch screen control DB9 to 3.5mm adapter cable is included. 1 Year Warranty 	<p>The ETS VGA + RS-232 Extender over one CAT5/Cat6 cable allows sending VGA + RS-232 signals together over long distances via only one inexpensive CAT5/CAT6 cable. Distances of up to 500 feet are easily achieved.</p> <p>The VGA + RS-232 Extender supports resolutions up to 1600 x 1200 at 60 Hz.</p> <p>A convenient gain and equalizer trim POT control selector on the receiver unit is designed for optimum signal clarity according to the length of the Category5 cables. (A small screwdriver is included for your convenience.)</p>	<ul style="list-style-type: none"> Auditoriums Boardrooms Churches Classrooms Digital Signage Meeting Halls Information Kiosks Monitoring Stations Projectors Retail - POS Schools Trade Shows

Specifications		Product Ordering Information	
Signal Type	VGA, SVGA, XVGA, Multi-synch and RS-232 signals	PV973G	Active VGA UTP + RS-232 Extender Set, (1) transmit (1), receive, (2) adapter cables and power supply
Video Amplifier Bandwidth	350 MHz		
Input DDC Signal	0.7 Volt p.p (TTL)		
Signal Noise Ratio	90dB		
Support Specification	Plug and Play		
Transmitter and Receiver	HDB-15 Female (video)		
Connectors	3.5 mm jack (RS-232)	VGA	800x600 1000 ft
Link Connector	RJ45	SVGA	1024 x 768 800 ft
Power Supply	5Vdc, 2.0A	XVGA	1280 x 1024 500 ft
		UXGA	1600 x 1200 300 ft
Dimensions (HxLxW)	Transmitter: 112x62x27mm	These are conservative distances, as this active adjustable unit compensates for many variables such as lower cable quality.	
	Receiver: 100x53x27mm		
Net Weight	Transmitter: 219g Receiver: 185g		

© Copyright 2006 - 2010 Energy Transformation Systems, Inc.
 FatCat5 System panels and information outlets protected under US Patent Number 6,123,577. FatCat5, FatCat5 System, Chameleon Color Coding System, Balanced Star, Balanced Line, Monoline and Precision Wave are trademarks of Energy Transformation Systems. All other brand or product names are or may be trademarks of, and are used to identify the products or services of their respective owners. Revised 03/09/2010



Energy Transformation Systems, Inc.
 43353-B Osgood Rd, Fremont, CA 94539
 www.etslan.com
 800-752-8208 510-656-2012 Fax 510-656-2026

